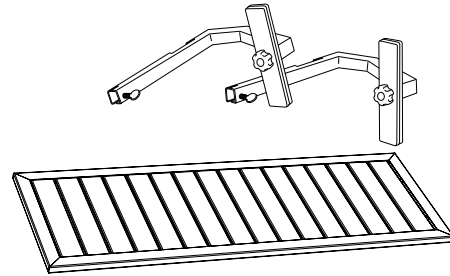


Items Included

- (2) Metal elbows
- (2) Thumb screws
- (1) Rail Table



Items Included

Installation Instructions

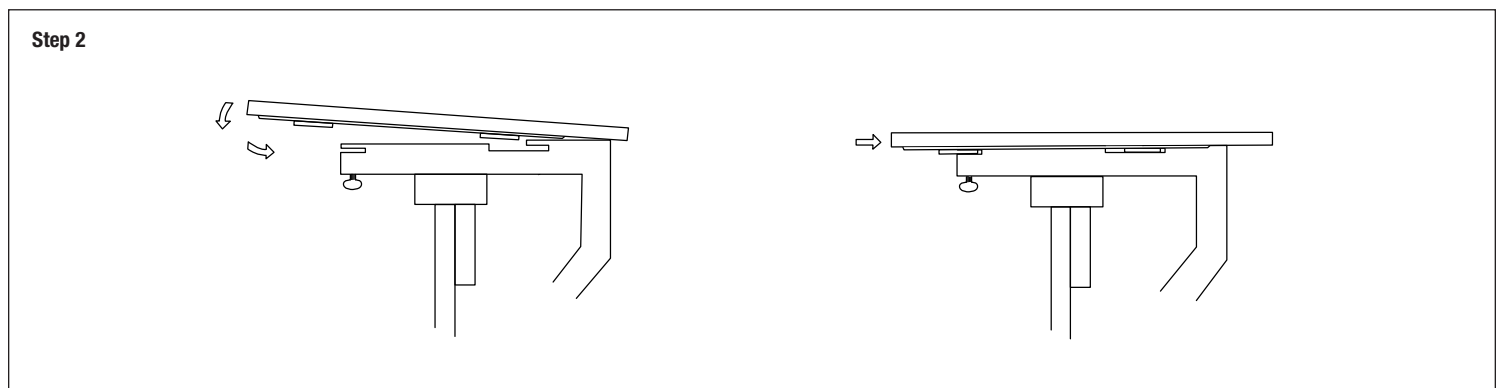
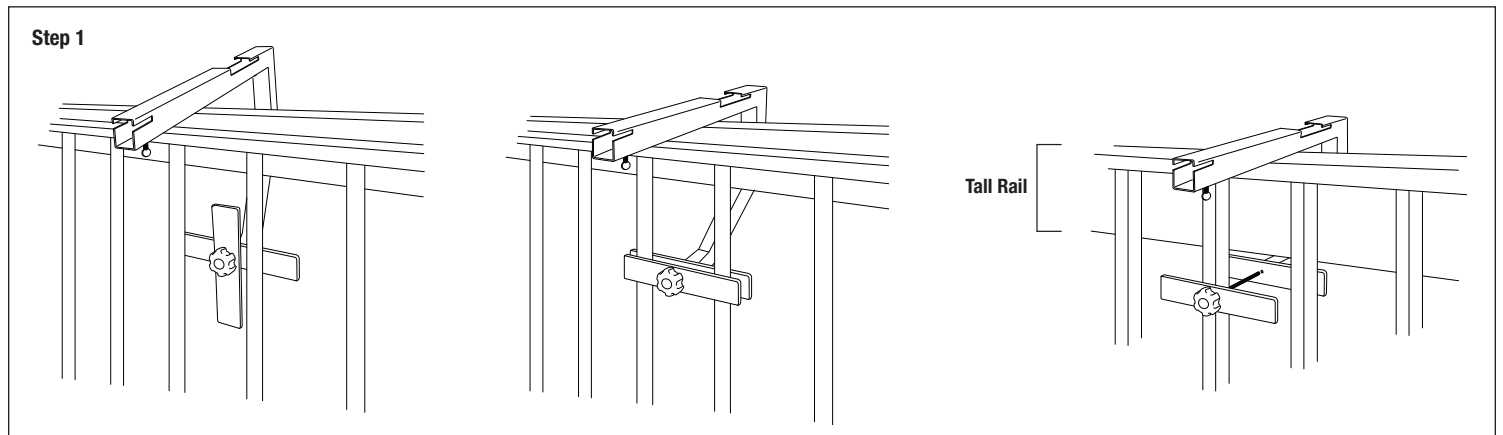
Step 1

Place the elbow over the top of the railing and allow it to rest on the railing. Position the clamp on two balusters and tighten with the hand knob until firmly installed. Repeat for other elbow.

Note: For taller rails, the hand knob and half of the clamp nearest the deck may need to be removed to clear the railing. Reinstall the clamp and knob, and tighten.

Step 2

Lift the table into position, and then slide it into the slots on the elbows. Tighten the thumb screw on the bottom of each elbow to secure table in place.



WARNING!

- **Maximum weight capacity is 50 lbs uniformly distributed. Do not exceed.**
- **Table is designed to attach to a guardrail that meets the structural requirements of the International Residential Code. Do not use if the guardrail does not meet the International Residential Code or if the guardrail is otherwise unsafe or dilapidated.**
- **While it is designed to work with many common railing styles, do not use or force to fit a non-compatible railing.**
- **Never allow any person to sit on, stand on, lean on, or pull themselves up by the table.**
- **Check with your homeowner's or condo association for rules regarding installation and use.**
- **It is a best practice to remove the table and hardware when not in use. Always remove prior to storms or high winds.**
- **Check your local zoning ordinance for rules on installation and use.**
- **Maximum weight is inclusive of the weight of table top.**
- **Prior to installing or removing, ensure nothing (including any people, animals, furniture, etc.) is below the railing.**
- **The bracket clamps and thumbscrew should be checked and re-tightened (if necessary) before every use, especially if the table has remained attached to a railing for a long period of time.**

THE DIAGRAMS AND INSTRUCTIONS IN THIS BROCHURE ARE FOR ILLUSTRATION PURPOSES ONLY AND ARE NOT MEANT TO REPLACE A LICENSED PROFESSIONAL. ANY CONSTRUCTION OR USE OF THE PRODUCT MUST BE IN ACCORDANCE WITH ALL LOCAL ZONING AND/OR BUILDING CODES. THE CONSUMER ASSUMES ALL RISKS AND LIABILITY ASSOCIATED WITH THE CONSTRUCTION OR USE OF THIS PRODUCT. UNIVERSAL CONSUMER PRODUCTS, INC. DOES NOT PROVIDE ANY WARRANTY, EITHER EXPRESS OR IMPLIED, AND SHALL NOT BE LIABLE FOR ANY DAMAGES, INCLUDING CONSEQUENTIAL DAMAGES.